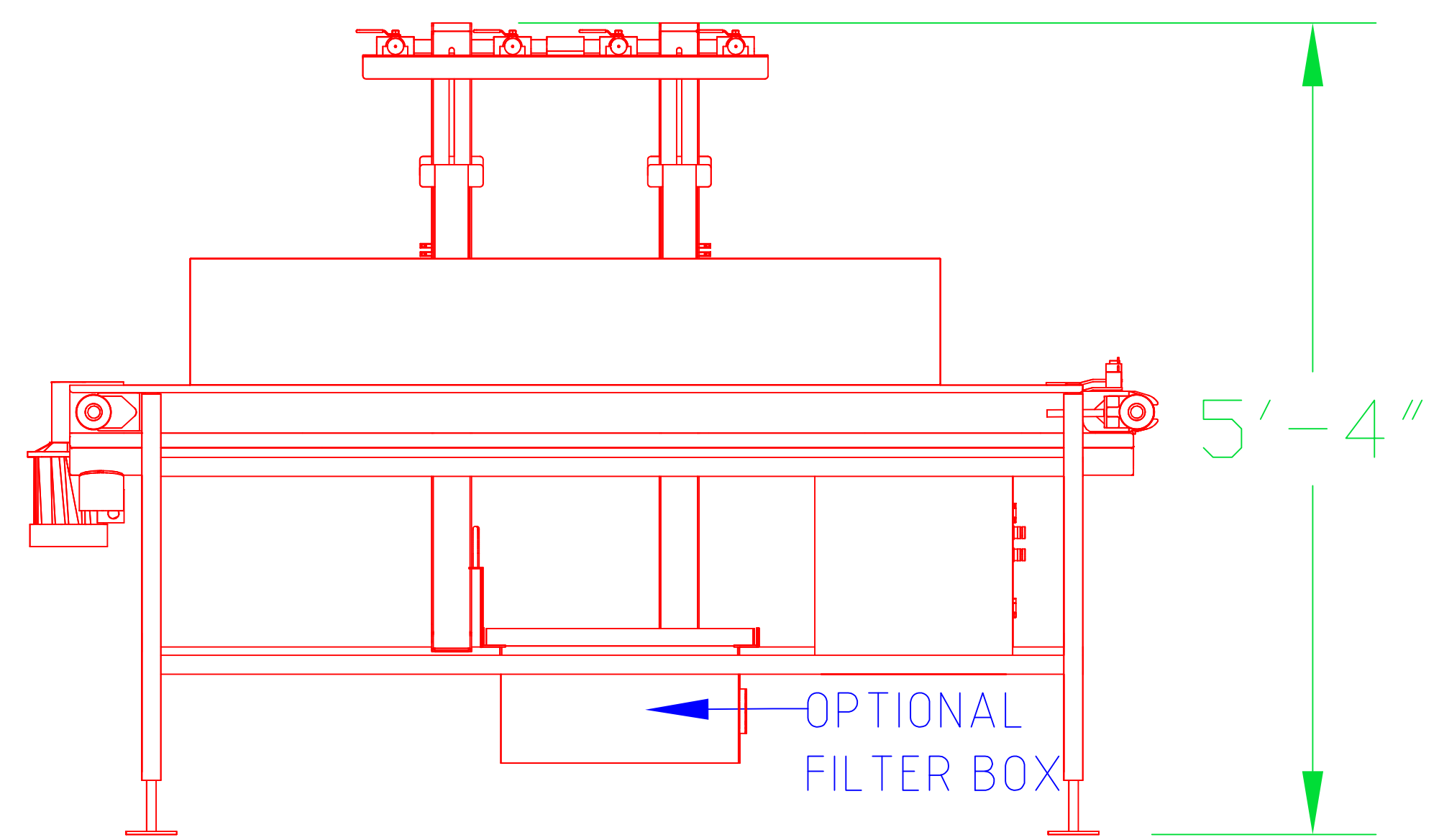
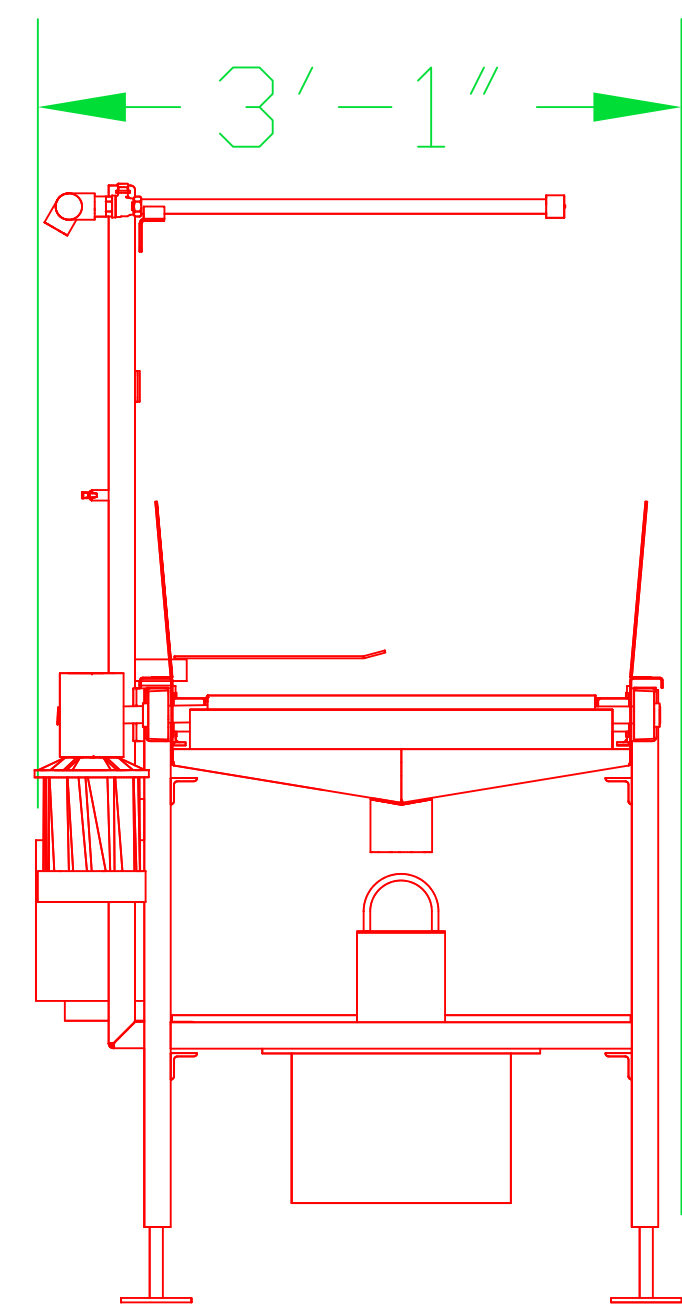
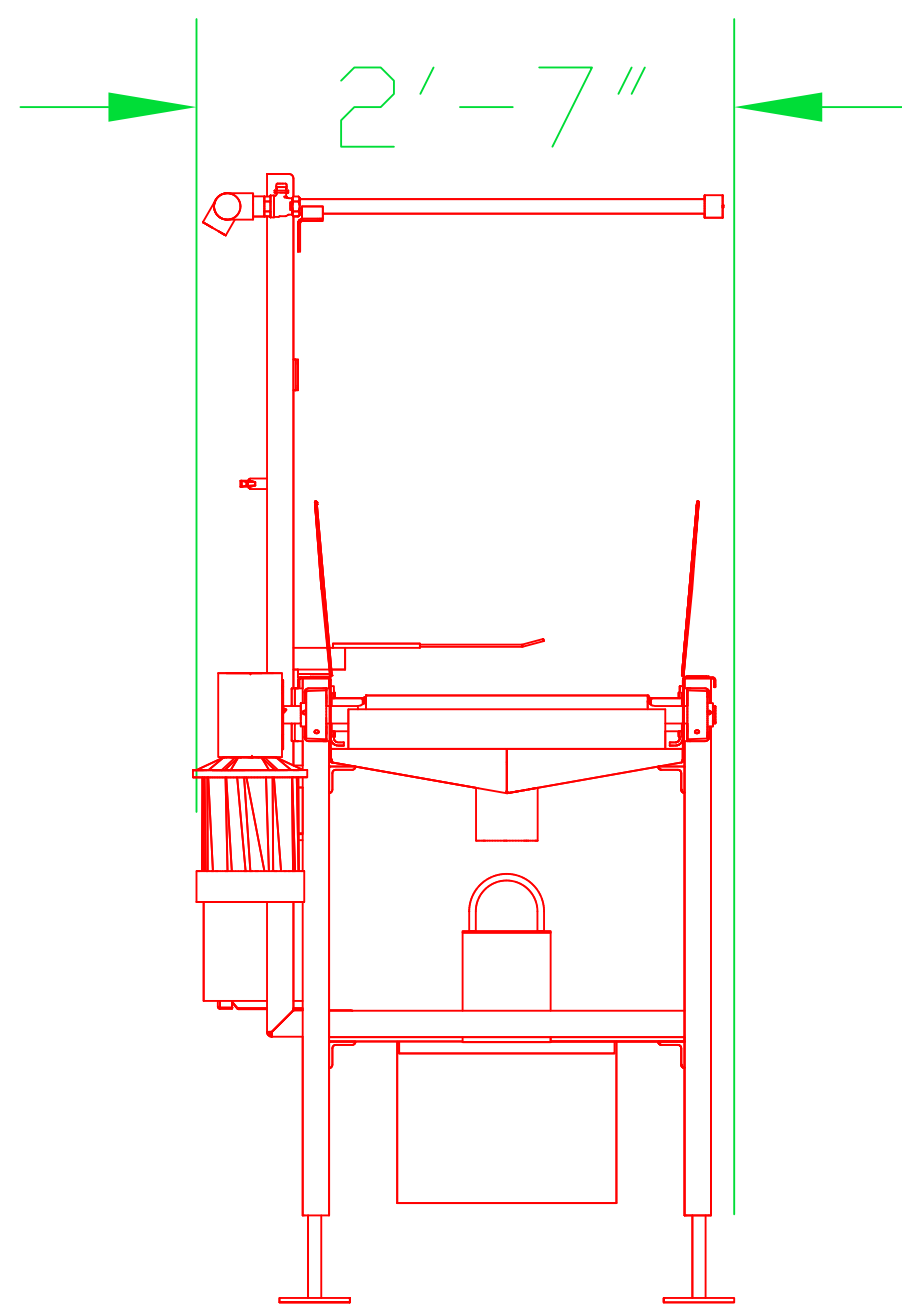
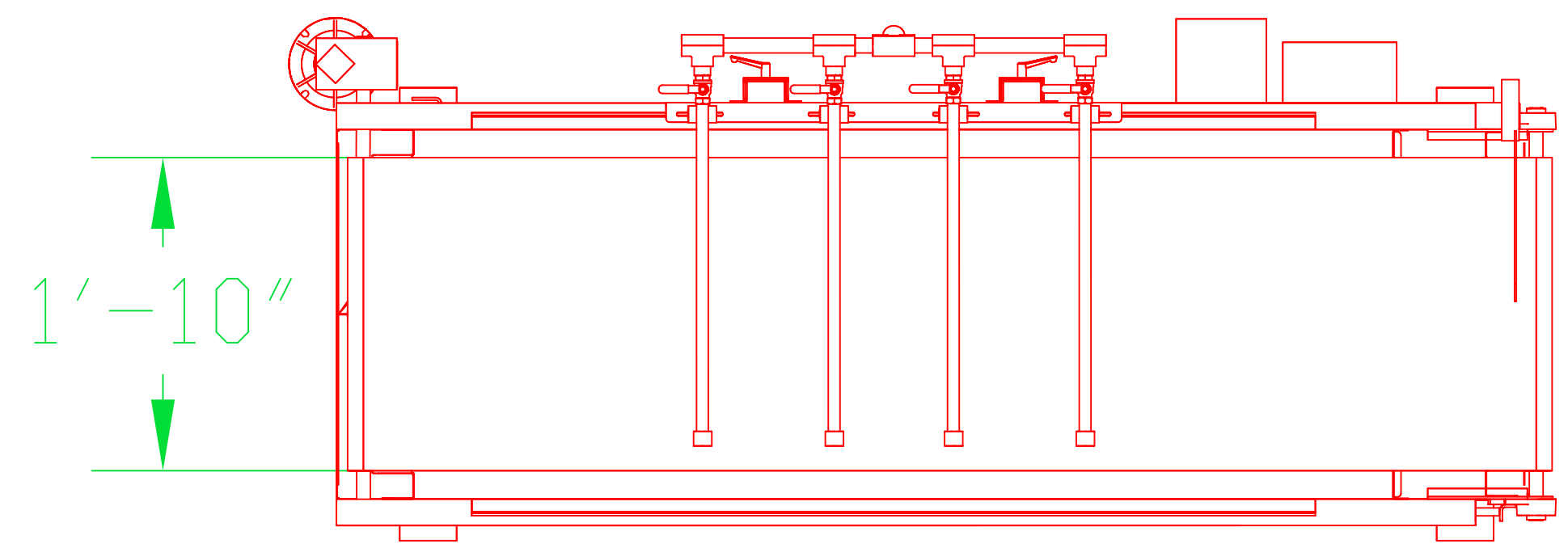
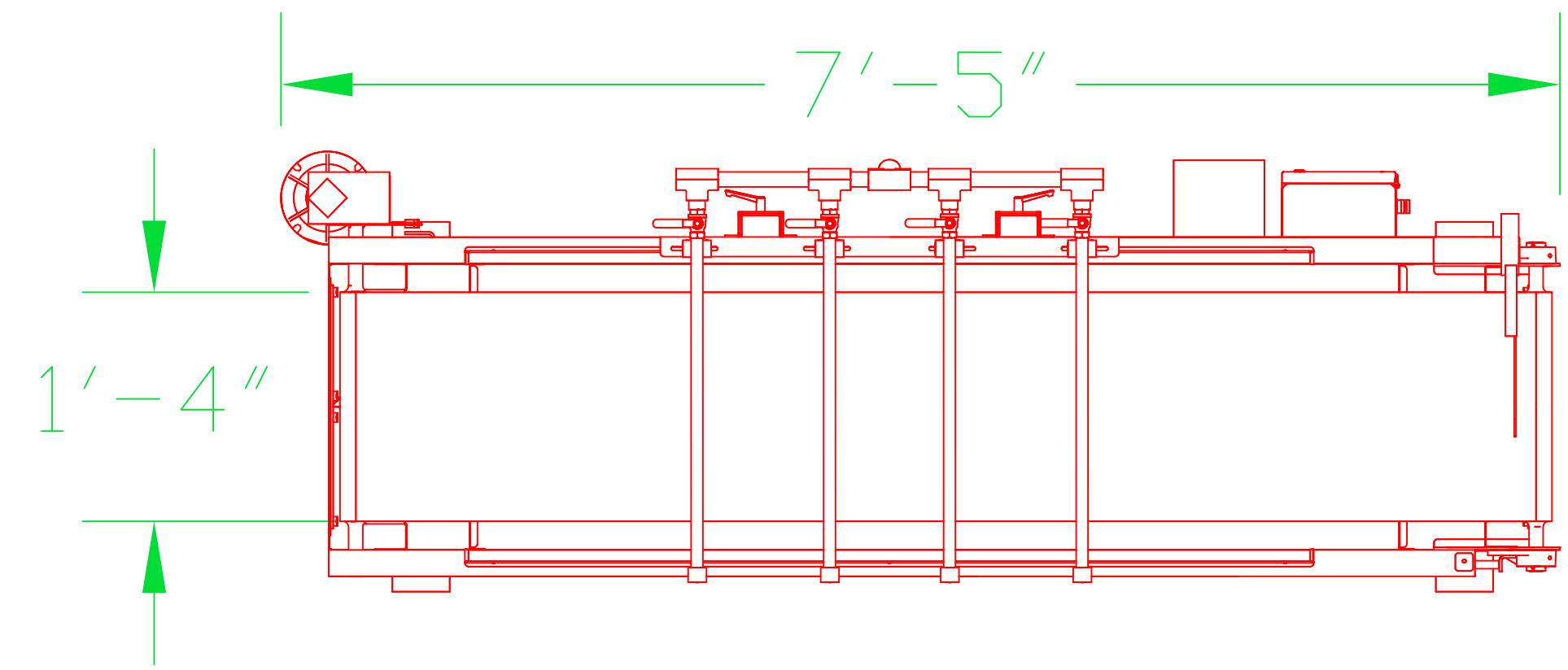


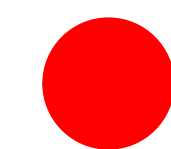
7' WATER TUNNEL




ALL RIGHTS RESERVED

THIS DRAWING AND ITS CONTENTS ARE THE PROPERTY OF AGRINOMIX L.L.C. ANY REPRODUCTION OR DISTRIBUTION WITHOUT WRITTEN CONSENT IS PROHIBITED.

NOTE: THIS DRAWING IS FOR CONCEPT AND COMMUNICATION PURPOSES ONLY! AGRINOMIX L.L.C. ASSUMES NO LIABILITY FOR THE DESIGN OR VIABILITY OF THE CONCEPT



NEW AGRINOMIX

Name of Project WEBSITE		ALL RIGHTS RESERVED THIS DRAWING AND ITS CONTENTS ARE THE PROPERTY OF AGRINOMIX L.L.C. ANY REPRODUCTION OR DISTRIBUTION WITHOUT WRITTEN CONSENT IS PROHIBITED.	
Client TEMPLATE		Drawing by: TAREK ELKHOLY Date:	
 Agrinomix, Inc. 2800 Creechville Drive Orem, UT 84054 Tel: 1-800-775-2963 Fax: 1-800-775-2964		Scale: TO: FT	
MACHINE TOOLS FOR GROWERS		Drawing: WATER TUNNEL 01	